

7 Gallon Hopper Installation Kits

406860B

ENG

For gravity feeding material to XP70 plural-component sprayers.

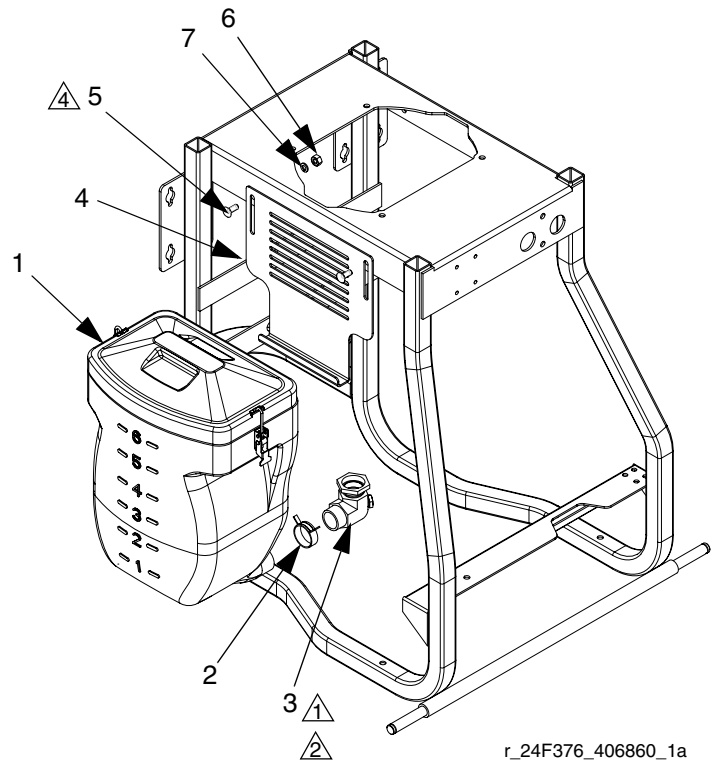


Important Safety Instructions

Read all warnings and instructions in the XP70 sprayer manual 3A0420. Save all instructions.

24F376, Blue Hopper Kit 24F377, Green Hopper Kit

Ref.	Part No.	Description	Qty.
1	262479	HOPPER, blue; 24F376	1
	262480	HOPPER, green; 24F377	1
2	124450	CLAMP, spring, constant-tension	1
3	16D376	FITTING, nipple, hex	1
4	24E872	BRACKET	1
5	111192	BOLT, carriage	2
6	100131	NUT, full hex	2
7	100133	WASHER, lock	2
8	16E791	STRAINER; not shown	1
9	110110	SEALANT, pipe, sst, 6 ml; not shown	1



r_24F376_406860_1a

- 1 Install clamp on hopper outlet tube before screwing in fitting (3).
- 2 Use anaerobic pipe sealant on threads.
- 3 Press strainer (8) into the inside of the hopper so that the edge bands bend and form to the hopper walls.
- 4 Adjust height as needed.

Graco Inc. P.O. Box 1441 Minneapolis, MN 55440-1441

406860 Rev. B 02/2011

Original instructions. This manual contains English.

Copyright 2010, Graco Inc. is registered to ISO 9001